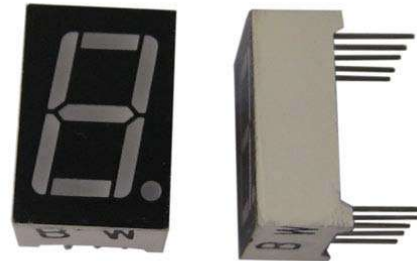


1.3 Common Anode 0.56 Inch (14.20mm)

PRODUCT DESCRIPTION
(1) 0.56 Inch (14.20mm) Digit Height
(2) Low current operation
(3) Excellent color and font characteristics
(4) Colors: White, blue, red, yellow and green
(5) Gray or black color background
(6) Common Anode
(7) RoHs Compliant Part



Absolute Maximum Rating (Ta = 25°C)

PARAMETER	RED	AMBER	GREEN	BLUE	WHITE	UNITS
DC Forward Current Per Segment	30	30	25	30	20	mA
Peak Current Per Segment ⁽¹⁾	70	50	50	25	25	mA
Avg. Forward Current (Pulse Operation) Per Segment	30	30	25	25	25	mA
Derating Linear From 25°C Per Segment	0.3					mA/°C
Reverse Voltage ⁽²⁾	3					V
Operating Temperature	-25 to +85					°C
Storage Temperature	-30 to +85					°C

(1) Pulse conditions of 1/10 duty and 0.1msec width, for long operating life, max. of 20mA recommended

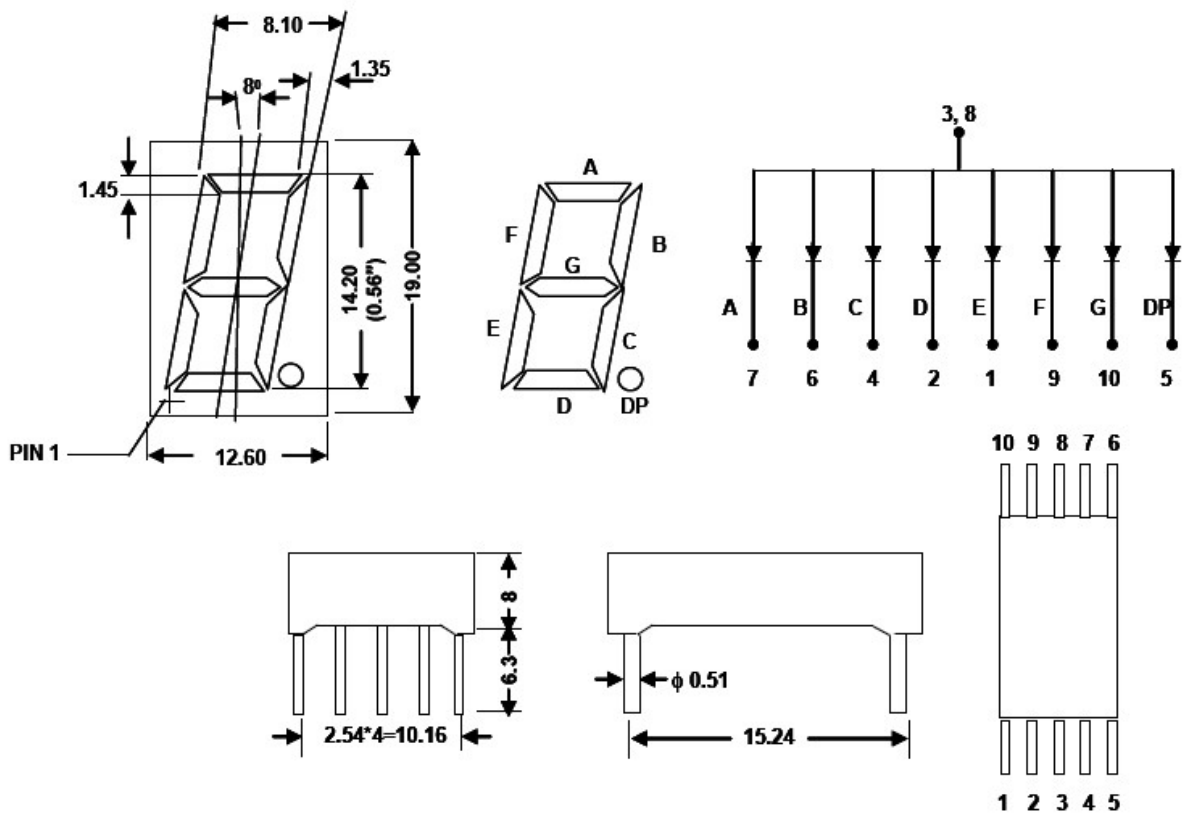
(2) Reverse biasing of the dot matrix is not recommend, will cause damage to the leds

Electro-optical Characteristics (Ta = 25°C)

PART NUMBER	DICE MATERIAL (COLOR)	PEAK WAVELENGTH (nm)	MAX. REVERSE CURRENT / SEGMENT (uA)	VF (V) TYP	VF (V) MAX.	LUMINOUS INTENSITY / SEGMENT AVERAGE (IF = 10mA)
LEDS5612AUR11	AlGaAs Red	660	10	1.8	2.3	10,000 ucd
LEDS5612TB11	InGaN Blue	468	10	3.3	4.0	28,000 ucd
LEDS5612YG11	GaP Green	568	10	1.9	2.3	12,000 ucd
LEDS5612UY11	AllnGaP Amber	590	10	1.8	2.3	12,000 ucd
LEDS5612TW11	InGaN White	5,500K	10	3.3	4.0	28,000 ucd

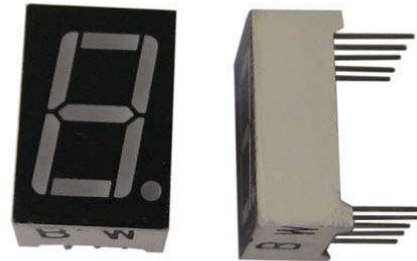
DEVICE DIAGRAM

PIN NO.			
1	Cathode E	6	Cathode B
2	Cathode D	7	Cathode A
3	Common Anode DIG. 1	8	Common Anode DIG. 2
4	Cathode C	9	Cathode F
5	Cathode DP	10	Cathode G



1.4 Common Cathode 0.56 Inch (14.20mm)

PRODUCT DESCRIPTION
(1) 0.56 Inch (14.20mm) Digit Height
(2) Low current operation
(3) Excellent color and font characteristics
(4) Colors: White, blue, red, yellow and green
(5) Gray or black color background
(6) Common Cathode
(7) RoHs Compliant Part



Absolute Maximum Rating (Ta = 25°C)

PARAMETER	RED	AMBER	GREEN	BLUE	WHITE	UNITS
DC Forward Current Per Segment	30	30	25	30	20	mA
Peak Current Per Segment ⁽¹⁾	70	50	50	25	25	mA
Avg. Forward Current (Pulse Operation) Per Segment	30	30	25	25	25	mA
Derating Linear From 25°C Per Segment	0.3					mA/°C
Reverse Voltage ⁽²⁾	3					V
Operating Temperature	-25 to +85					°C
Storage Temperature	-30 to +85					°C

(1) Pulse conditions of 1/10 duty and 0.1msec width, for long operating life, max. of 20mA recommended

(2) Reverse biasing of the dot matrix is not recommend, will cause damage to the leds

Electro-optical Characteristics (Ta = 25°C)

PART NUMBER	DICE MATERIAL (COLOR)	PEAK WAVELENGTH (nm)	MAX. REVERSE CURRENT / SEGMENT (uA)	VF (V) TYP	VF (V) MAX.	LUMINOUS INTENSITY / SEGMENT AVERAGE (IF = 10mA)
LEDS5612AUR1C	AlGaAs Red	660	10	1.8	2.3	10,000 ucd
LEDS5612TB1C	InGaN Blue	468	10	3.3	4.0	28,000 ucd
LEDS5612YG1C	GaP Green	568	10	1.9	2.3	12,000 ucd
LEDS5612UY1C	AllnGaP Amber	590	10	1.8	2.3	12,000 ucd
LEDS5612TW1C	InGaN White	5,500K	10	3.3	4.0	28,000 ucd

DEVICE DIAGRAM

PIN NO.			
1	Anode E	6	Anode B
2	Anode D	7	Anode A
3	Common Cathode DIG. 1	8	Common Cathode DIG. 2
4	Anode C	9	Anode F
5	Anode DP	10	Anode G

