

40 x 40 x 10mm High Quality DC Fan

Features:

- 40mm fans are great for cooling a Northbridge and Southbridge
- Two bearing system selection, sleeve or 1 ball 1 sleeve
- Low noise
- Easy to connect
- Our 40mm fans are perfect for any space-limited cooling needs

Specifications:

| Item No. | Bearing System | Rated Voltage (VDC) | Rated Current (AMP) | Input Power (Watt) | Fan Speed (RPM) | Air Flow (CFM) | Static Pressure (Inch-H2O) | Noise Level (dBA) | Dimension (mm) |
|----------------------------------|---|---------------------|---------------------|--------------------|-----------------|----------------|----------------------------|-------------------|---|
| 4010L05S 4010L05B 4010L05D | Sleeve Bearing 1 Ball Bearing 2 Ball Bearings | 5V | 0.08 | 0.40 | 4,000 ± 10% | 4.2 | 0.07 | 23 | 40 X 40 X 10 (mm) (1.57" X 1.57" X .39") |
| 4010M05S 4010M05B 4010M05D | Sleeve Bearing 1 Ball Bearing 2 Ball Bearings | 5V | 0.10 | 0.50 | 5,000 ± 10% | 5.6 | 0.10 | 24 | 40 X 40 X 10 (mm) (1.57" X 1.57" X .39") |
| 4010H05S 4010H05B 4010H05D | Sleeve Bearing 1 Ball Bearing 2 Ball Bearings | 5V | 0.16 | 0.80 | 6,000 ± 10% | 6.2 | 0.13 | 26 | 40 X 40 X 10 (mm) (1.57" X 1.57" X .39") |
| 4010L12S 4010L12B 4010L12D | Sleeve Bearing 1 Ball Bearing 2 Ball Bearings | 12V | 0.06 | 0.72 | 4,000 ± 10% | 4.2 | 0.07 | 23 | 40 X 40 X 10 (mm) (1.57" X 1.57" X .39") |
| 4010M12S 4010M12B 4010M12D | Sleeve Bearing 1 Ball Bearing 2 Ball Bearings | 12V | 0.09 | 1.08 | 5,000 ± 10% | 5.6 | 0.10 | 24 | 40 X 40 X 10 (mm) (1.57" X 1.57" X .39") |
| 4010H12S 4010H12B 4010H12D | Sleeve Bearing 1 Ball Bearing 2 Ball Bearings | 12V | 0.12 | 1.44 | 6,000 ± 10% | 6.2 | 0.13 | 26 | 40 X 40 X 10 (mm) (1.57" X 1.57" X .39") |
| 4010L24S 4010L24B 4010L24D | Sleeve Bearing 1 Ball Bearing 2 Ball Bearings | 24V | 0.04 | 0.96 | 4,000 ± 10% | 4.2 | 0.07 | 23 | 40 X 40 X 10 (mm) (1.57" X 1.57" X .39") |
| 4010M24S 4010M24B 4010M24D | Sleeve Bearing 1 Ball Bearing 2 Ball Bearings | 24V | 0.06 | 1.44 | 5,000 ± 10% | 5.6 | 0.10 | 24 | 40 X 40 X 10 (mm) (1.57" X 1.57" X .39") |
| 4010H24S 4010H24B 4010H24D | Sleeve Bearing 1 Ball Bearing 2 Ball Bearings | 24V | 0.10 | 2.40 | 6,000 ± 10% | 6.2 | 0.13 | 26 | 40 X 40 X 10 (mm) (1.57" X 1.57" X .39") |

Connectors:

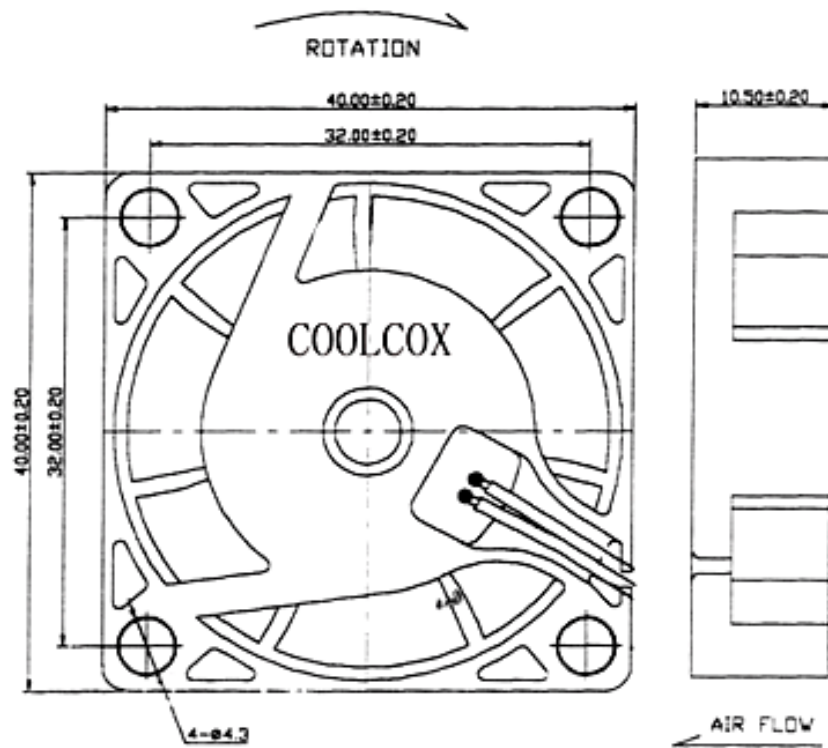
We recommend the below 2 pin, 3pin or 4pin connectors for option



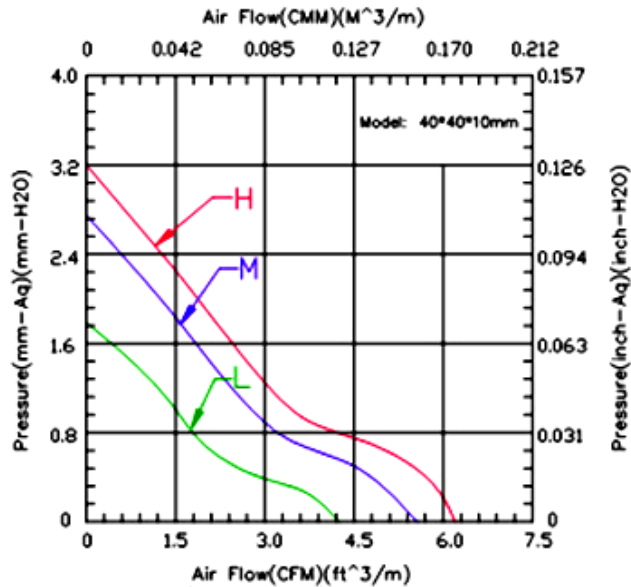
Packing:

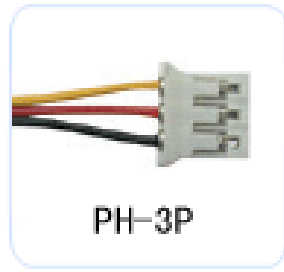
- 900pcs/ctn
- 0.053cbm/ctn

Dimensions:

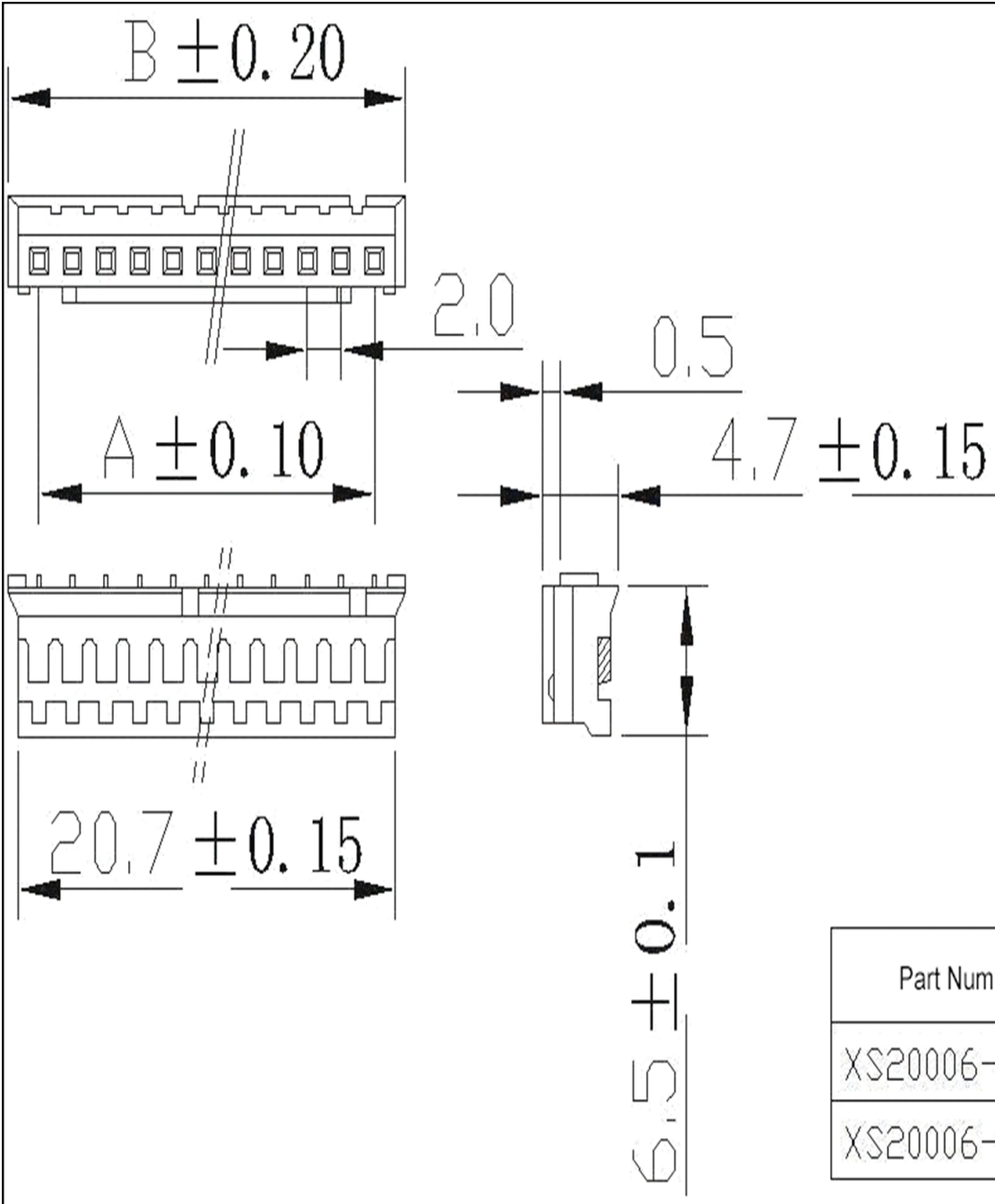


Performance Curves:

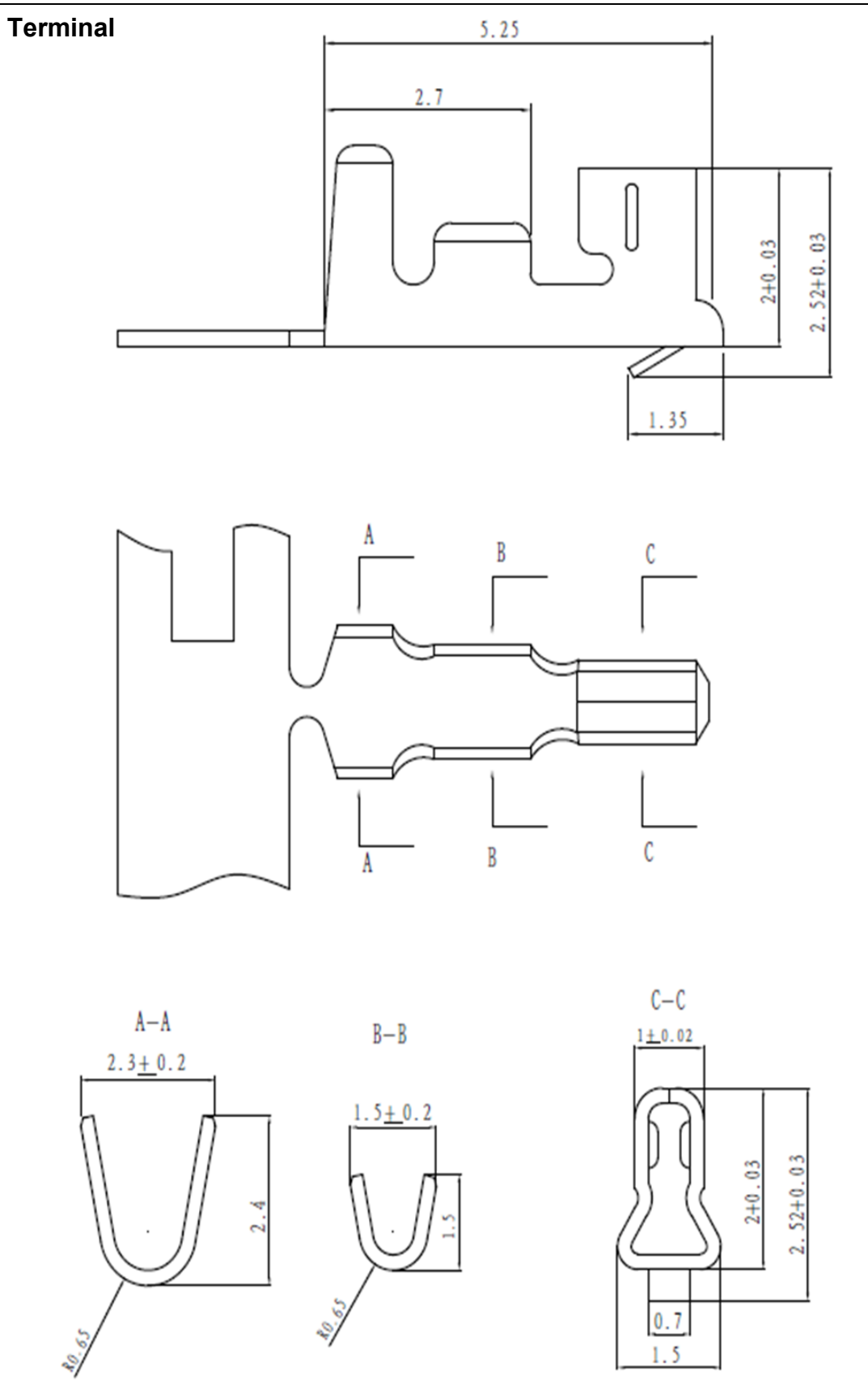
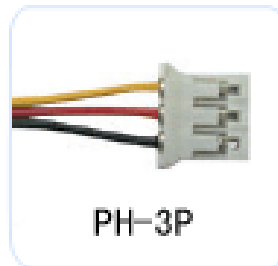


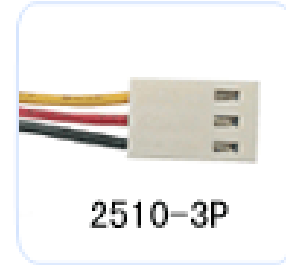


Housing



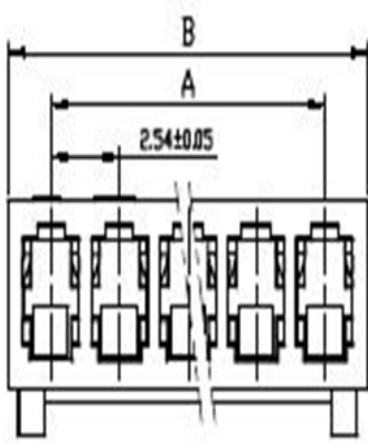
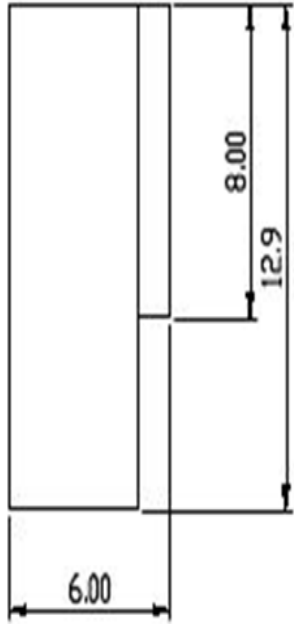
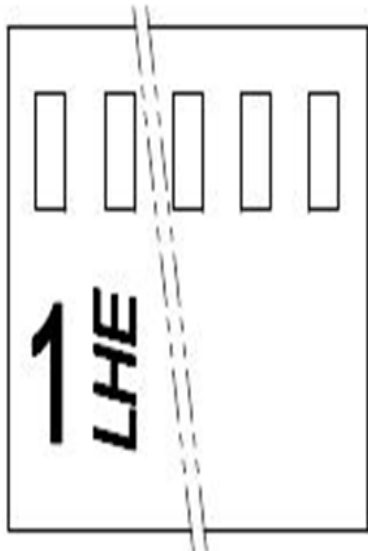
| Part Number | A | B |
|-------------|-----|-----|
| XS20006-2Y | 2.0 | 6.0 |
| XS20006-3Y | 4.0 | 8.0 |





HOUSING

Material: Nylon 66 UL 94V-0



| Poles | Part No. | Dimensions mm | |
|-------|-----------|---------------|------|
| | | A | B |
| 2 | A2543-H02 | 2.54 | 5.76 |
| 3 | A2543-H03 | 5.08 | 8.30 |

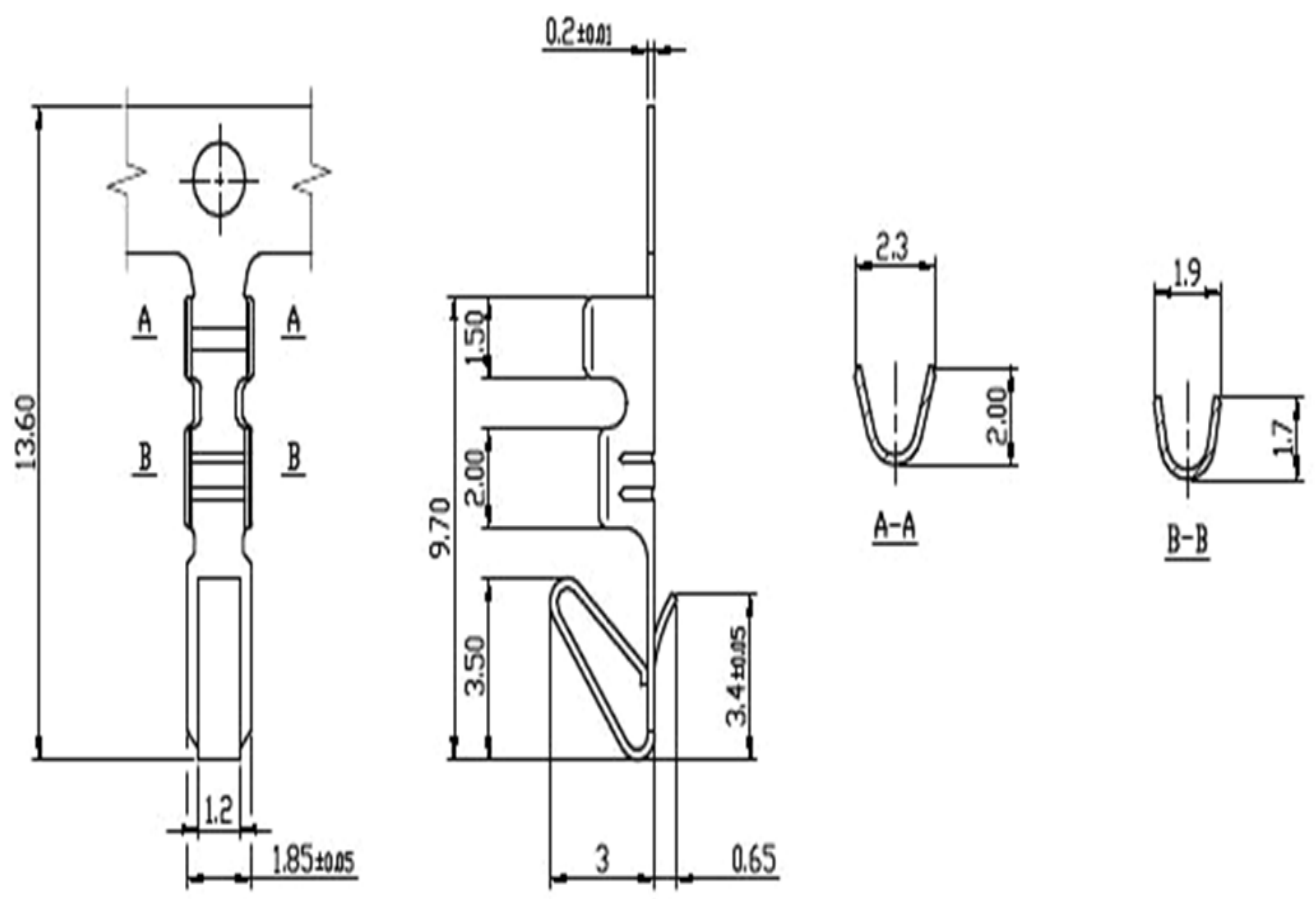


2510-2P



2510-3P

TERMINAL

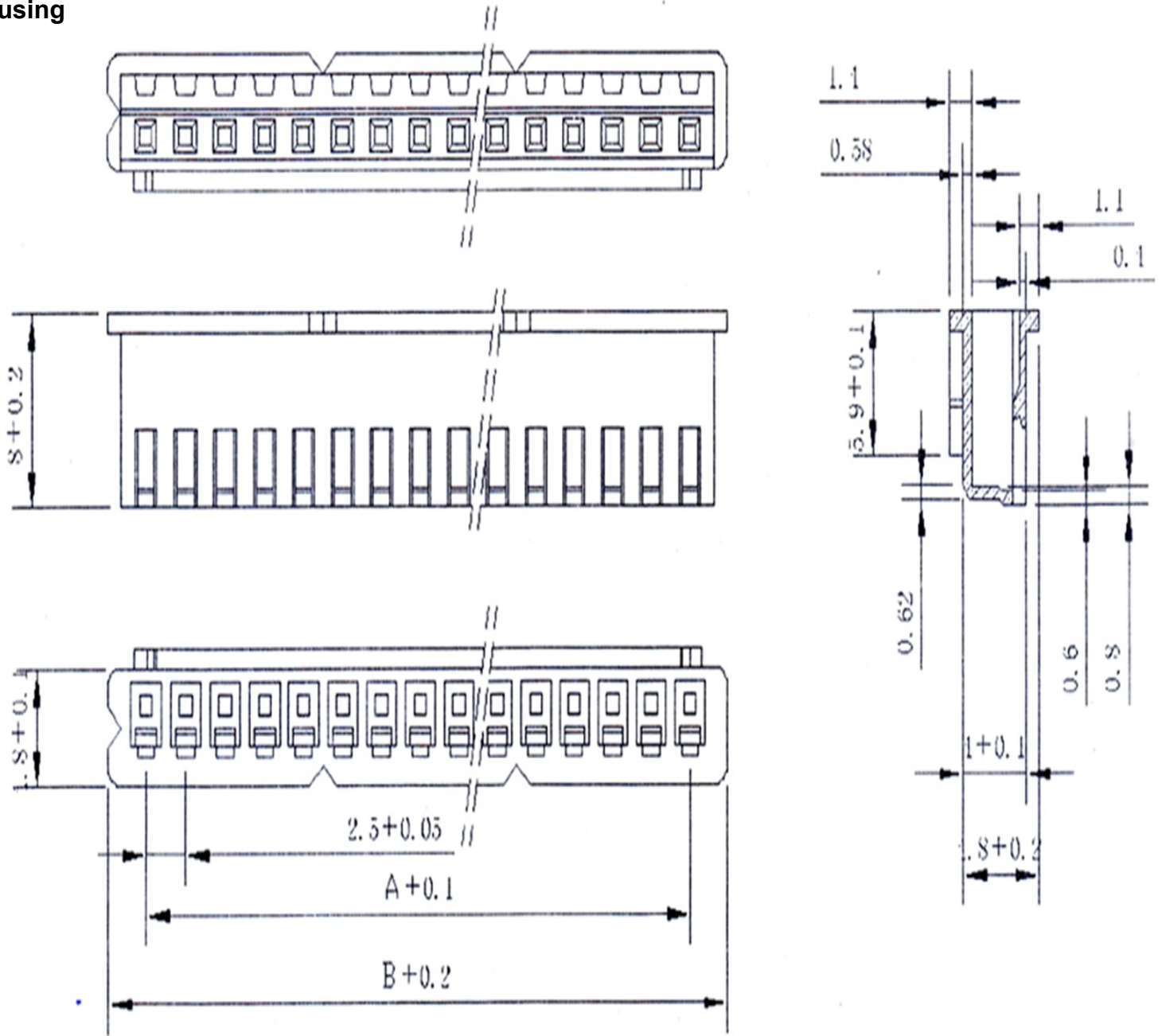


| Part No. | Wire Range | Insulation O.D | Material | Finish | Qty/reel |
|-----------|----------------|----------------|-----------------|----------------|-----------|
| A2543-TP2 | AWG #28 to #22 | 1.2 to 1.9mm | Phosphor bronze | Tin-plated | 10,000pcs |
| A2543-TP8 | AWG #28 to #22 | 1.2 to 1.9mm | Phosphor bronze | Gold.Ni.plated | 10,000pcs |



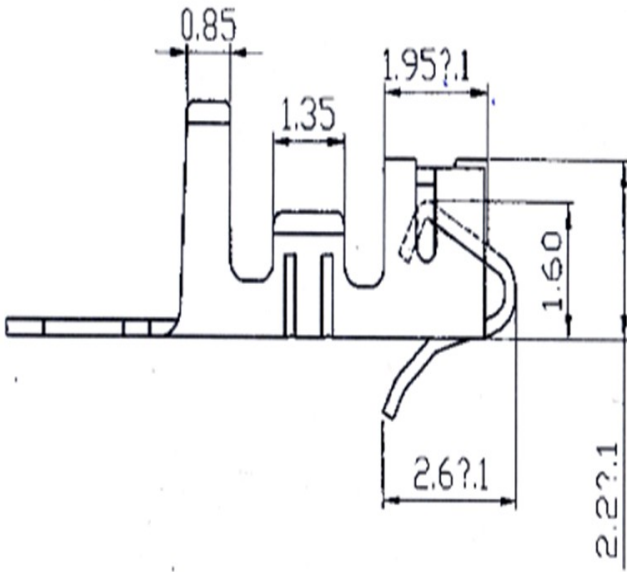
| Part No. | Dimension mm | |
|------------|--------------|-----|
| | A | B |
| XS25001-2Y | 2.5 | 7.3 |
| XS25001-3Y | 5 | 9.8 |

Housing

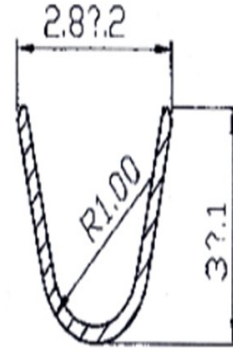




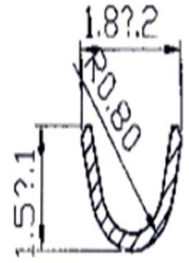
Terminal



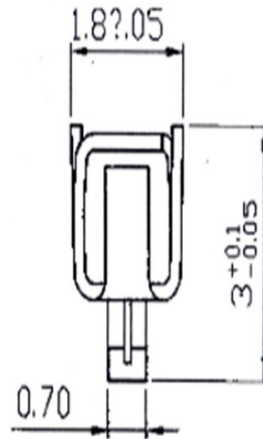
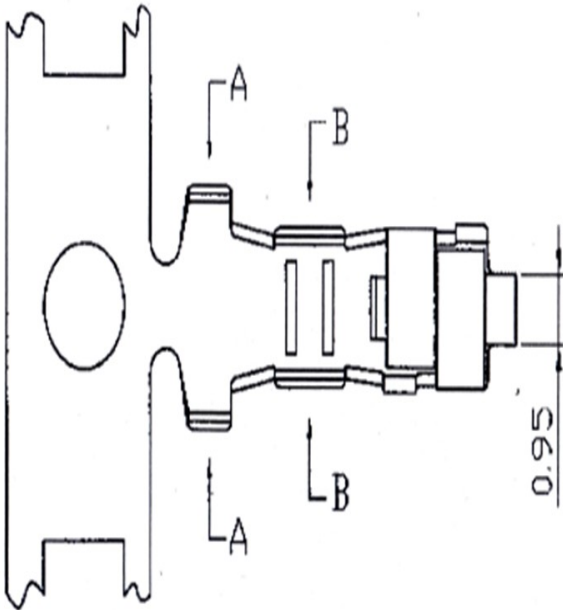
C向



SECTION A-A



SECTION B-B



C向

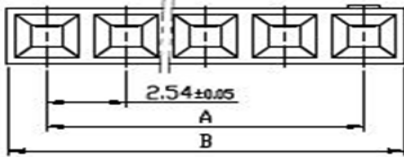
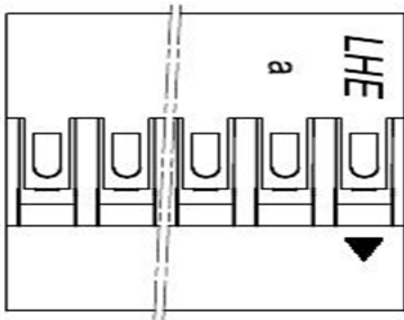


Dupont-2P

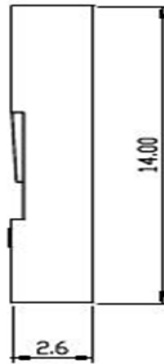
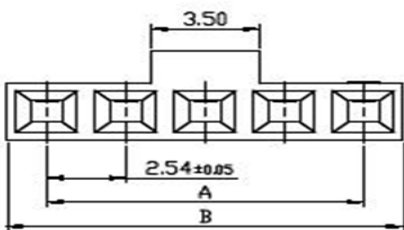
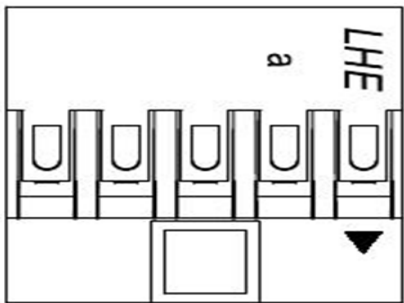
DUPONT-2P

HOUSING

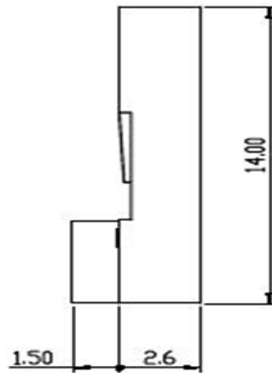
Material: PP0 UL 94V-0 & Nylon 66 UL 94V-0



● B-Type :

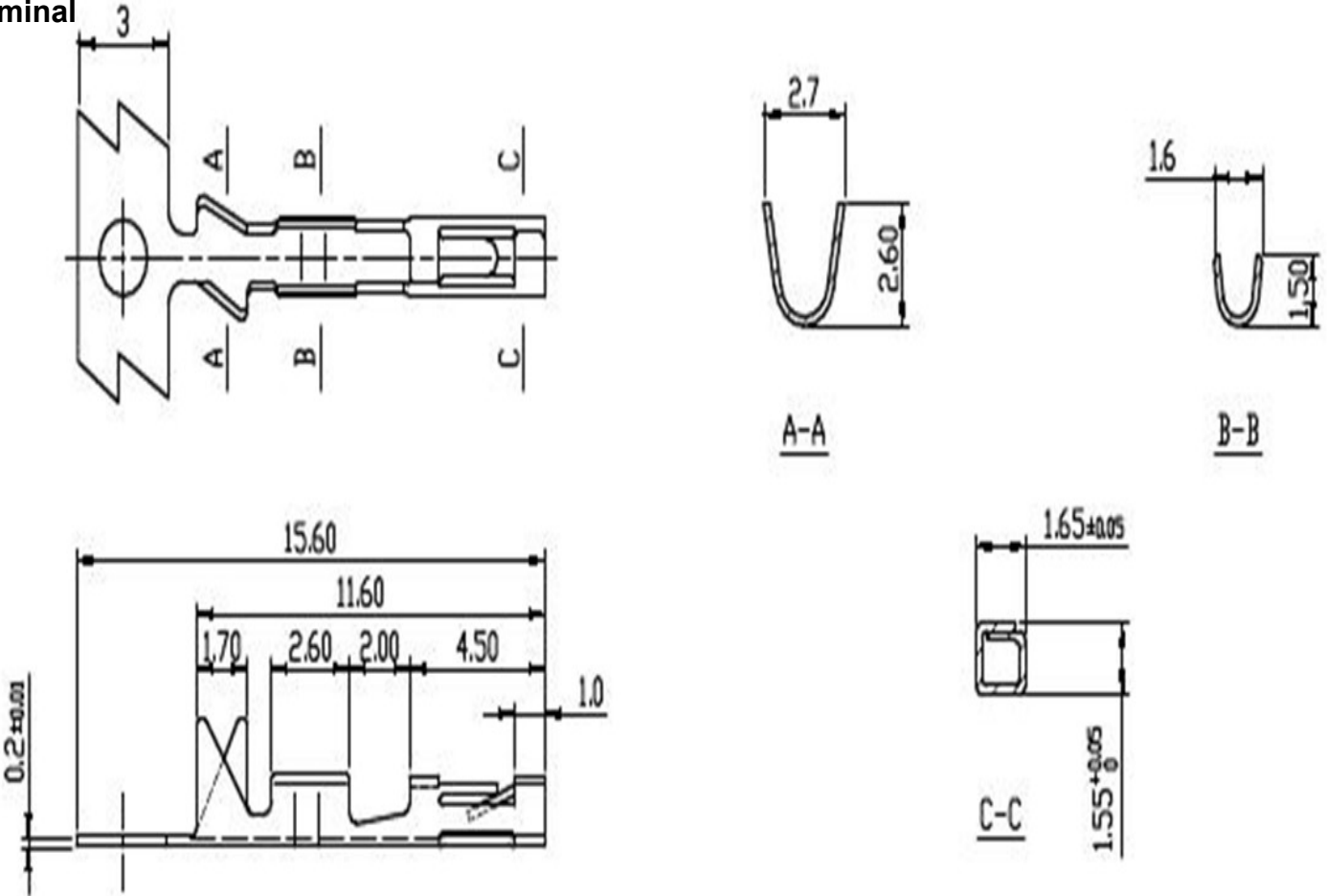


| Poles | Part No. | Part No. | Dimensions mm | |
|-------|-----------|----------|---------------|------|
| | | | A | B |
| 2 | A2541-H02 | | 2.54 | 5.08 |

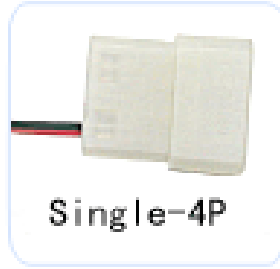




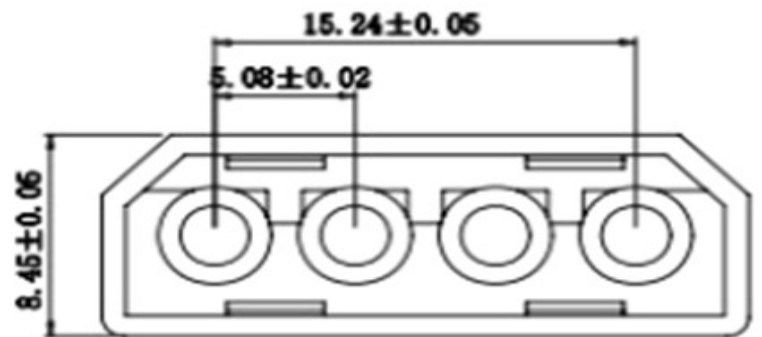
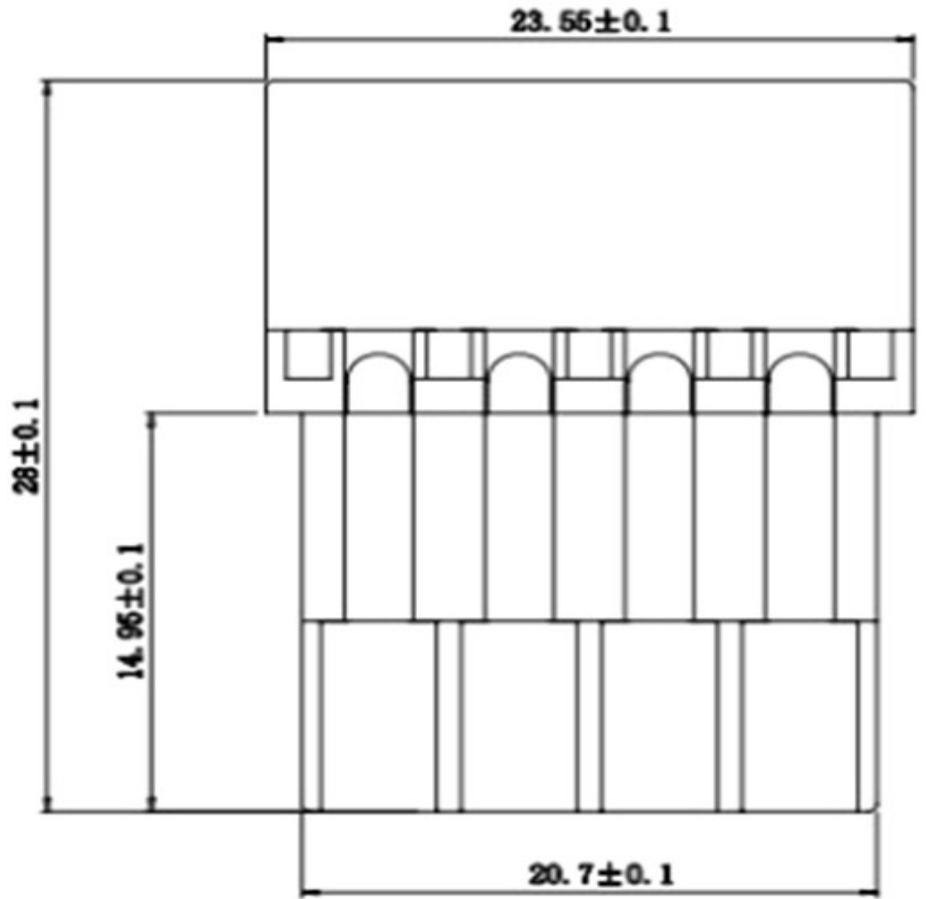
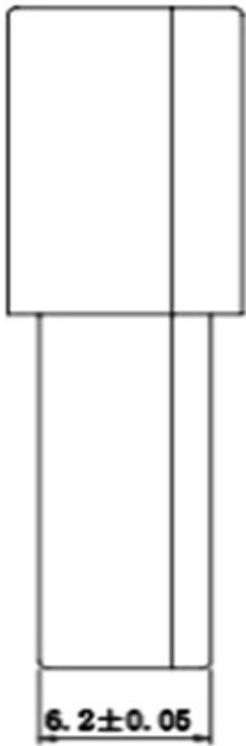
Terminal

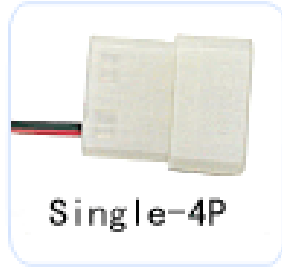


| Part No. | Wire Range | Insulation O.D | Material | Finish | Qty/reel |
|------------|----------------|----------------|-----------------|----------------|----------|
| A2541A-TP2 | AWG #26 to #22 | 1.2 to 1.6mm | Phosphor bronze | Tin-plated | 8,000pcs |
| A2541A-TP8 | AWG #26 to #22 | 1.2 to 1.6mm | Phosphor bronze | Gold.Ni.plated | 8,000pcs |

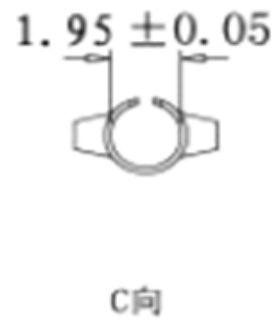
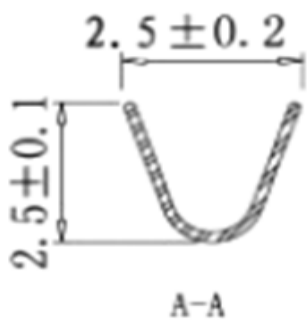
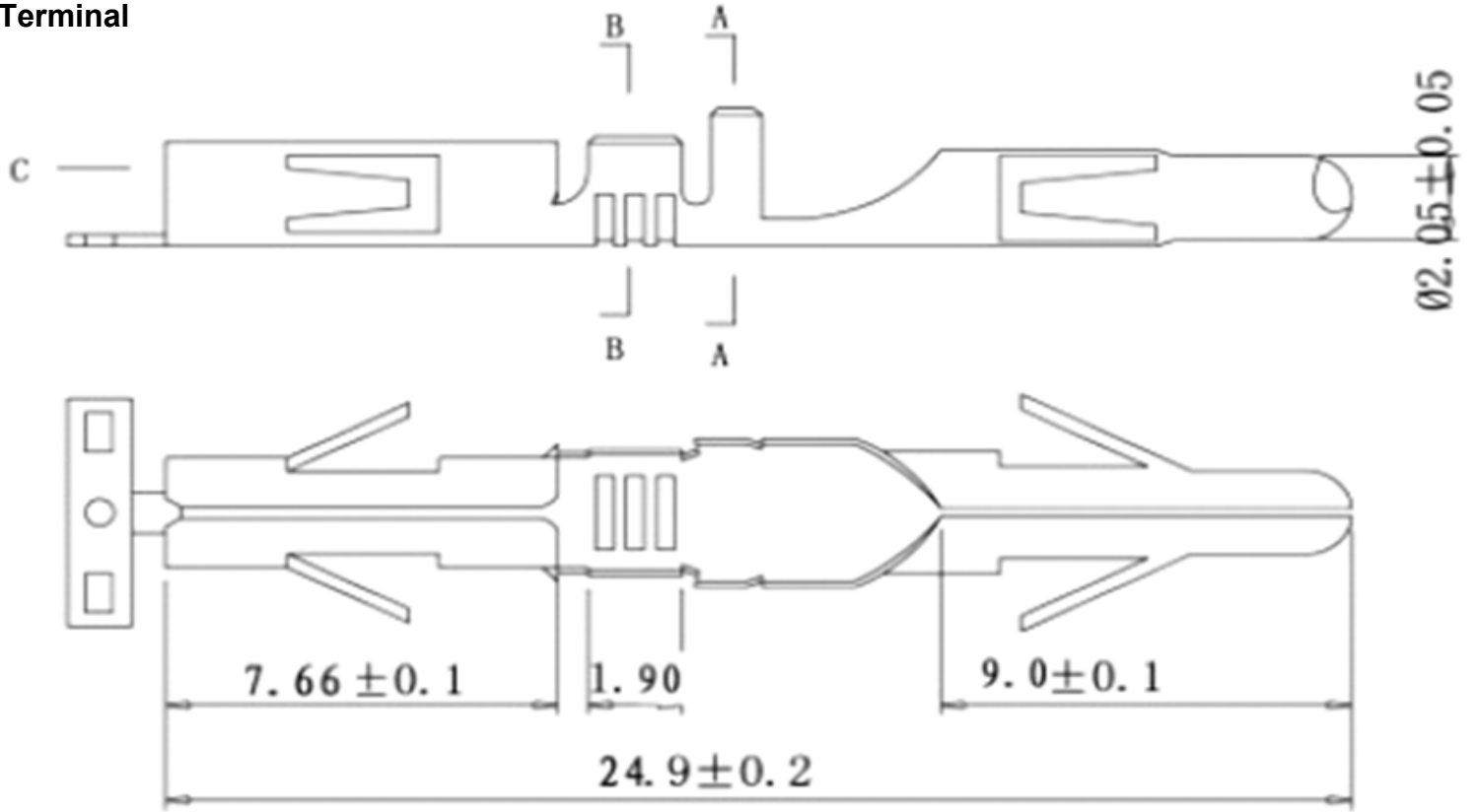


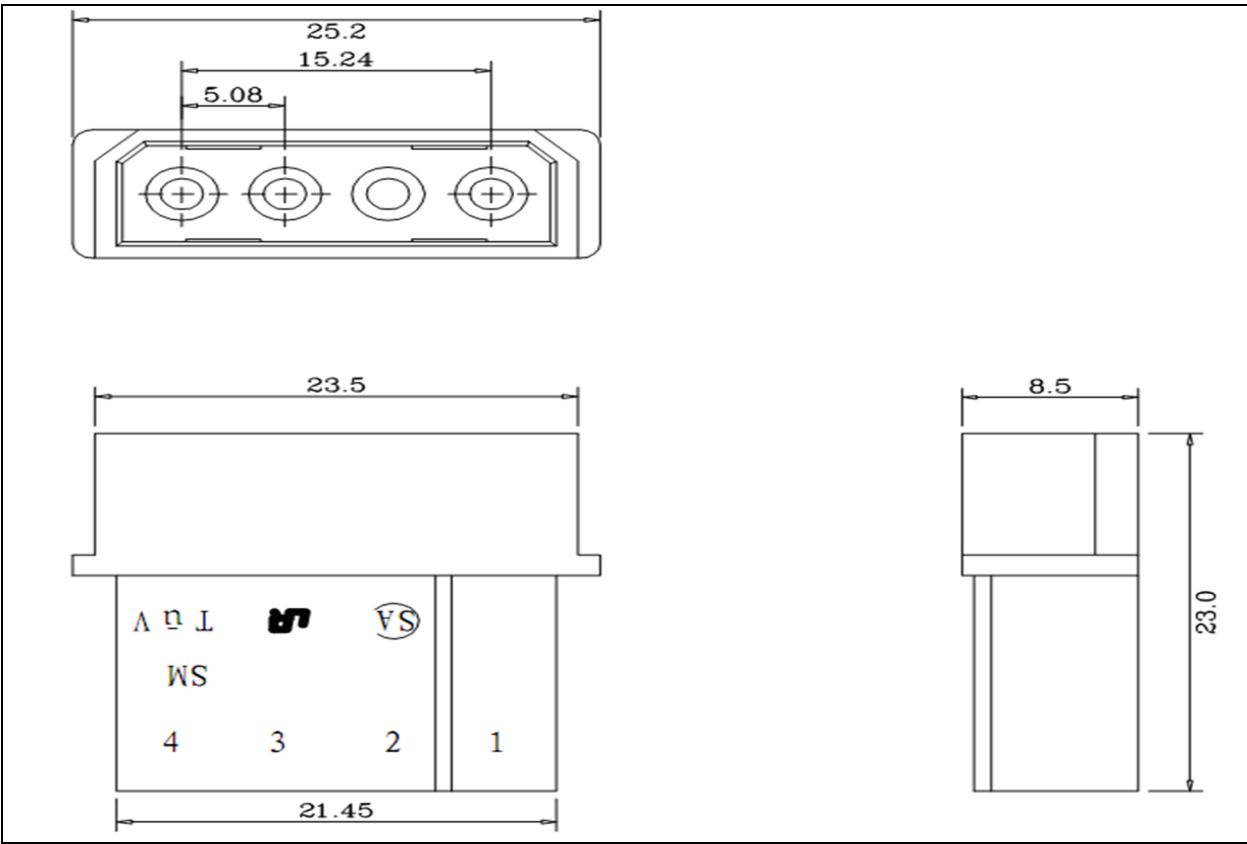
Housing



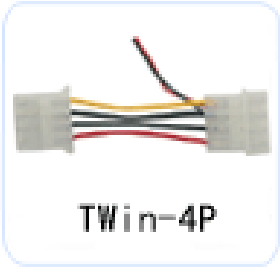


Terminal

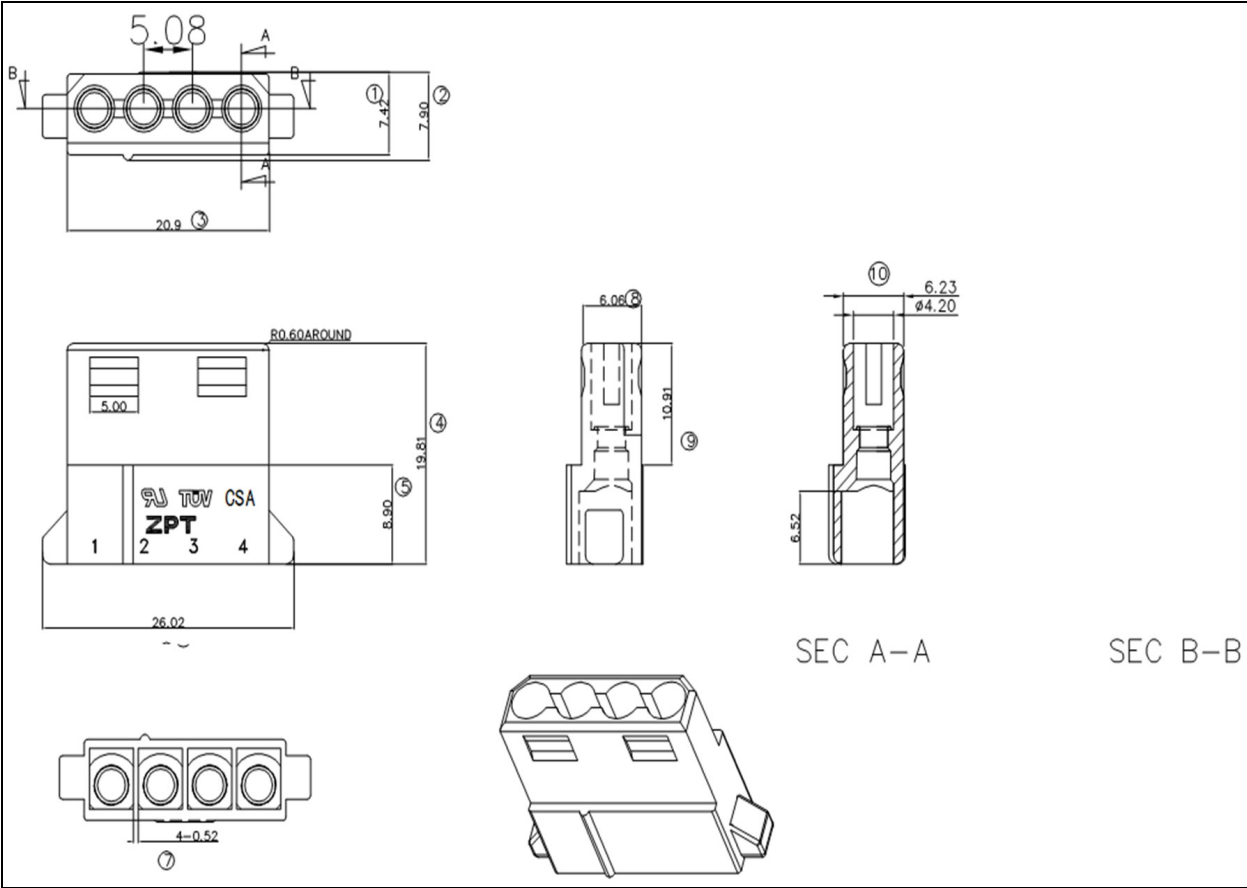


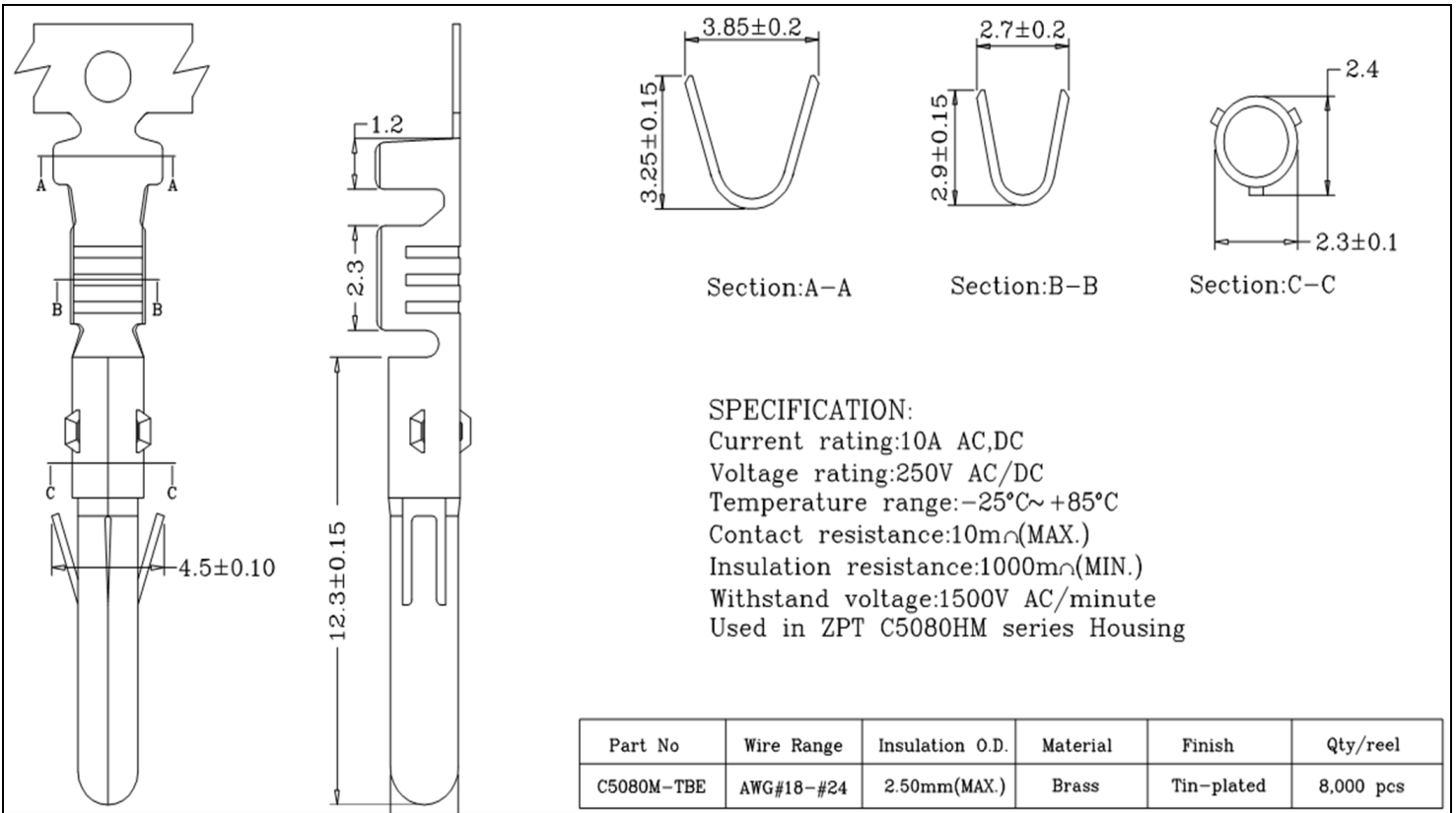


Housing



TWIn-4P





Terminal

