

# Customer Information Sheet

DRAWING No.: S8421-45R	SHEET 3 OF 4	IF IN DOUBT - ASK	©	NOT TO SCALE	THIRD ANGLE PROJECTION	ALL DIMENSIONS IN mm																												
<p> <math>44.00 \pm 0.30</math>  <math>20.20 \pm 0.15</math>  <math>40.40 \pm 0.15</math>  <math>24.00</math> TYP  <math>2.00</math> TYP  <math>4.00</math> TYP  <math>\phi 1.50 \pm 0.10</math> TYP  <math>1.50 \pm 0.10</math>  <math>25.55</math>          SECTION Y-Y          SECTION X-X  <math>5.80</math>  <math>\phi 100</math> MIN  <math>\phi 330</math>  <math>\phi 13.0 \pm 0.2</math>  <math>\phi 0.20 \pm 0.05</math> (DETAIL 'A')          FINISHED REELING DIRECTION          ROUND HOLES THIS SIDE     </p> <p>         NOTES:          1. FOR CONNECTOR DETAILS SEE SHEET 4.          2. QUANTITY PER REEL = 500.          3. TAPE AND REELING TO BE IN ACCORDANCE WITH EIA-481 (ELECTRONIC INDUSTRIES ASSOCIATION)     </p>																																		
<table border="1"> <tr> <td>SD</td> <td>5</td> <td>13.09.17</td> <td>20192</td> </tr> <tr> <td>NAME</td> <td>ISS.</td> <td>DATE</td> <td>C/NOTE</td> </tr> <tr> <td colspan="4">APPROVED: S. BENNETT</td> </tr> <tr> <td colspan="4">CHECKED: F. MCGOWAN</td> </tr> <tr> <td colspan="4">DRAWN: R. ADDE</td> </tr> <tr> <td colspan="4">CUSTOMER REF.:</td> </tr> <tr> <td colspan="4">ASSEMBLY DRG.:</td> </tr> </table>							SD	5	13.09.17	20192	NAME	ISS.	DATE	C/NOTE	APPROVED: S. BENNETT				CHECKED: F. MCGOWAN				DRAWN: R. ADDE				CUSTOMER REF.:				ASSEMBLY DRG.:			
SD	5	13.09.17	20192																															
NAME	ISS.	DATE	C/NOTE																															
APPROVED: S. BENNETT																																		
CHECKED: F. MCGOWAN																																		
DRAWN: R. ADDE																																		
CUSTOMER REF.:																																		
ASSEMBLY DRG.:																																		
TOLERANCES X. = $\pm 1$ mm X.X = $\pm 0.50$ mm X.XX = $\pm 0.10$ mm X.XXX = $\pm 0.01$ mm ANGLES = $\pm 5^\circ$ UNLESS STATED		MATERIAL: SEE SHEET 1		TITLE: SMT COIN CELL HOLDER FOR CR2032 TAPE & REELED		DRAWING NUMBER: <b>S8421-45R</b> SHEET 3 OF 4																												

THIS DRAWING AND ANY INFORMATION OR DESCRIPTIVE MATTER SET OUT HEREON ARE THE PROPERTY OF HARWIN GROUP AND MUST NOT BE DISCLOSED, LOANED, COPIED OR REPRODUCED FOR ANY OTHER PURPOSE WITHOUT THEIR WRITTEN PERMISSION.

**HARWIN**  
[www.harwin.com](http://www.harwin.com)  
[technical@harwin.com](mailto:technical@harwin.com)

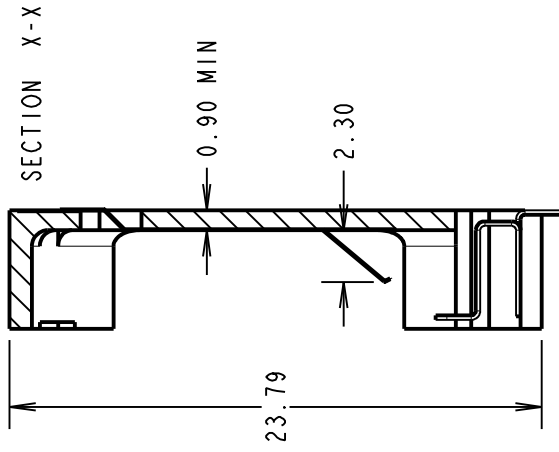
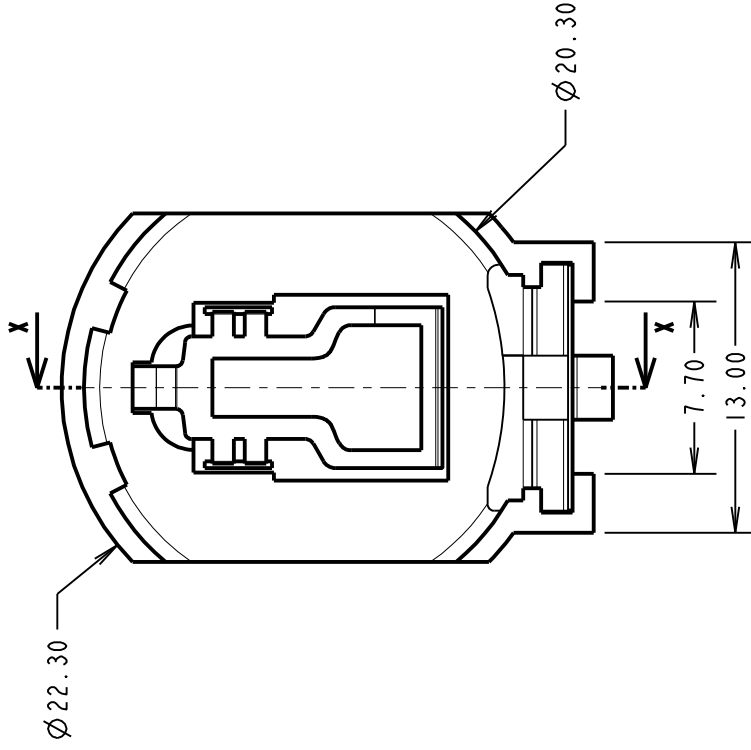
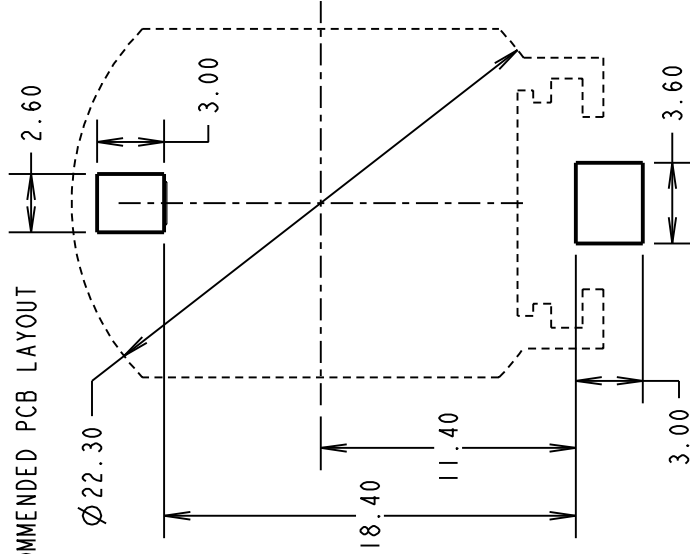
# Customer Information Sheet

DRAWING No.: S8421-45R SHEET 4 OF 4 IF IN DOUBT - ASK (C) NOT TO SCALE THIRD ANGLE PROJECTION ALL DIMENSIONS IN mm

**SPECIFICATIONS:**

**MATERIAL:**  
 Moulding: PPS 30% G/F, UL94V-0, BROWN  
 CONTACT: PHOSPHOR BRONZE  
 FINISH:  
 CONTACTS = GOLD  
 ELECTRICAL:  
 CONTACT RESISTANCE = 12mΩ  
 INSULATION RESISTANCE = 500MΩ  
 DIELECTRIC VOLTAGE = 500V AC FOR 1 MINUTE  
 ENVIRONMENTAL:  
 OPERATING TEMPERATURE = -40°C TO +105°C

**RECOMMENDED PCB LAYOUT**



SB	5	13.09.17	20792
NAME	ISS.	DATE	C/NOTE
APPROVED: S.BENNETT			
CHECKED: F.MCGOWAN			
DRAWN: R.ADDE			
CUSTOMER REF.:			
ASSEMBLY DRG:			

POLARITY MARKING, FOR DRAWING ILLUSTRATION ONLY

**NOTES:**

- SUITABLE FOR THE FOLLOWING COIN CELL: CR2032.
- ALL TOLERANCES ARE ±0.20 UNLESS OTHERWISE STATED.

THIS DRAWING AND ANY INFORMATION OR DESCRIPTIVE MATTER SET OUT HEREON ARE CONFIDENTIAL AND COPYRIGHT PROPERTY OF THE HARWIN GROUP AND MUST NOT BE DISCLOSED, LOANED, COPIED OR USED FOR MANUFACTURING, TENDERING OR FOR ANY OTHER PURPOSE WITHOUT THEIR WRITTEN PERMISSION.

~~TOLERANCES  
 X.X = ±0.10mm  
 X.XX = ±0.50mm  
 X.XXX = ±0.10mm  
 X.XXX = ±0.01mm  
 ANGLES = ±5°  
 UNLESS STATED~~

MATERIAL:

SEE ABOVE

TITLE:

COIN CELL HOLDER FOR CR2032

FINISH:

SEE ABOVE

DRAWING NUMBER:

mm<sup>2</sup>

S8421-45R

SHT 4 OF 4

**HARWIN**

www.harwin.com  
 technical@harwin.com