

TYPES SN54H62, SN74H62 4-WIDE AND-OR EXPANDERS

REVISED DECEMBER 1983

- Package Options Include Plastic and Ceramic DIPs
- Dependable Texas Instruments Quality and Reliability

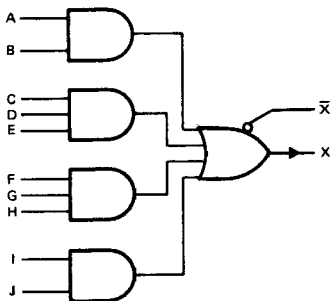
description

These devices contain 4-wide AND-OR expanders. In the J and N packages they perform the Boolean function $X = AB + CDE + FGH + IJ$ when connected to X and \bar{X} inputs of SN54H50/SN74H50, SN54H53/SN74H53, or SN54H55/SN74H55. In a W package the function is $Y = ABC + DE + FG + HIJ$.

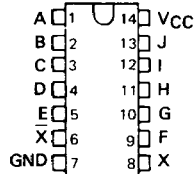
The SN54H62 is characterized for operation over the full military temperature range of -55°C to 125°C . The SN74H62 is characterized for operation from 0°C to 70°C .

logic diagrams

J OR N PACKAGE

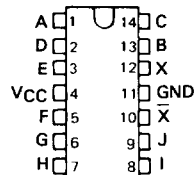


(TOP VIEW)



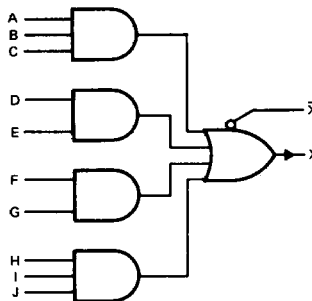
SN54H62 ... W PACKAGE

(TOP VIEW)



NC - No internal connection

W PACKAGE



3

TTL DEVICES

PRODUCTION DATA

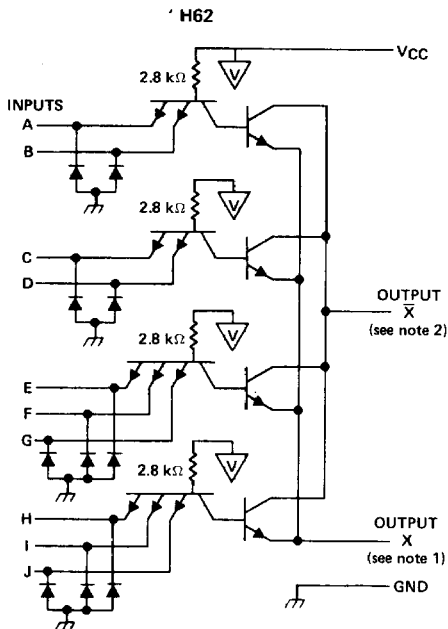
This document contains information current as of publication date. Products conform to specifications per the terms of Texas Instruments standard warranty. Production processing does not necessarily include testing of all parameters.

TEXAS
INSTRUMENTS

POST OFFICE BOX 225017 • DALLAS, TEXAS 75265

TYPES SN54H62, SN74H62 4-WIDE AND-OR EXPANDERS

schematic



NOTES: 1. Connect to X input of 'H50, 'H53, or 'H55 circuit.
2. Connect to X-bar input of 'H50, 'H53, or 'H55 circuit.
Resistor values shown are nominal.

absolute maximum ratings over operating free-air temperature range (unless otherwise noted)

| | |
|---|----------------|
| Supply voltage, V_{CC} (see Note 3) | 7 V |
| Input voltage | 5.5 V |
| Operating free-air temperature range: SN54H62 | -55°C to 125°C |
| SN74H62 | 0°C to 70°C |
| Storage temperature range | -65°C to 150°C |

NOTE 3: Voltage values are with respect to network ground terminal.

3

TTL DEVICES

TYPES SN54H62, SN74H62
4-WIDE AND-OR EXPANDERS

recommended operating conditions

| | SN54H62 | | | SN74H62 | | | UNIT |
|---|---------|-----|-----|---------|-----|------|------|
| | MIN | NOM | MAX | MIN | NOM | MAX | |
| V _{CC} Supply voltage | 4.5 | 5 | 5.5 | 4.75 | 5 | 5.25 | V |
| V _{IH} High-level input voltage | 2 | | | 2 | | | V |
| V _{IL} Low-level input voltage | | | 0.8 | | | 0.8 | V |
| T _A Operating free-air temperature | -55 | | 125 | 0 | | 70 | °C |

electrical characteristics over recommended operating free-air temperature range (unless otherwise noted)

| PARAMETER | TEST CONDITIONS† | SN54H62 | | SN74H62 | | UNIT |
|----------------------|---|---------|------|---------|------|------|
| | | MIN | TYP‡ | MAX | MIN | |
| V _{XX(on)} | V _{CC} = MIN, V _{IH} = 2 V, V _X = 1.1 V, I _X = 5.85 mA, T _A = -55°C | | | 0.4 | | V |
| | V _{CC} = MIN, V _{IH} = 2 V, V _X = 1 V, I _X = 6.3 mA, T _A = 0°C | | | | 0.4 | |
| | V _{CC} = MAX, V _{IH} = 2 V, V _X = 1 V, I _X = 7.85 mA, T _A = 125°C | | | 0.4 | | |
| | V _{CC} = MAX, V _{IH} = 2 V, V _X = 1 V, I _X = 7.4 mA, T _A = 70°C | | | | 0.4 | |
| I _{X(on)} | V _{CC} = MIN, V _{IH} = 2 V, V _X = 1.1 V, I _X = 0, T _A = -55°C | -0.47 | | | | mA |
| | V _{CC} = MIN, V _{IH} = 2 V, V _X = 1 V, I _X = 0, T _A = 0°C | | | -0.6 | | |
| I _{X(off)} | V _{CC} = MIN, V _{IL} = 0.8 V, V _X = 4.5 V, R _X = 575 Ω, T _A = -55°C | | 0.32 | | | mA |
| | V _{CC} = MIN, V _{IL} = 0.8 V, V _X = 4.5 V, R _X = 575 Ω, T _A = 0°C | | | | 0.57 | |
| I _I | V _{CC} = MAX, V _I = 5.5 V | | 1 | | 1 | mA |
| I _{IH} | V _{CC} = MAX, V _I = 2.4 V | | 50 | | 50 | μA |
| I _{IL} | V _{CC} = MAX, V _I = 0.4 V | | -2 | | -2 | mA |
| I _{CC(on)} | V _{CC} = MAX, V _I = 4.5 V, V _X = 0.85 V, I _X = 0 | 3.8 | 7 | 3.8 | 7 | mA |
| I _{CC(off)} | V _{CC} = MAX, V _I = 0, V _X = 0.85 V, I _X = 0 | 6 | 9 | 6 | 9 | mA |
| C _X | V _{CC} , inputs, and X open; f = 1 MHz | | 6.0 | | 6.0 | pF |

† For conditions shown as MIN or MAX, use the appropriate value specified under recommended operating conditions.

‡ All typical values are at V_{CC} = 5 V (except C_X). T_A = 25°C.

3

TTL DEVICES