

Pot Cores

The pot core shape is a convenient means of adjusting the ferrite structure to meet the specific requirements of an application. Both high circuit Q and good temperature stability of inductance can be obtained with these cores. Pot cores, when assembled, nearly surround the wound bobbin. This self-shielded geometry isolates the winding from stray magnetic fields or effects from other surrounding circuit elements.

Typical applications for pot cores include; differential mode inductors, power transformers, power inductors, converter and inverter transformers, filters, both broadband and narrow, transformers and telecom inductors.

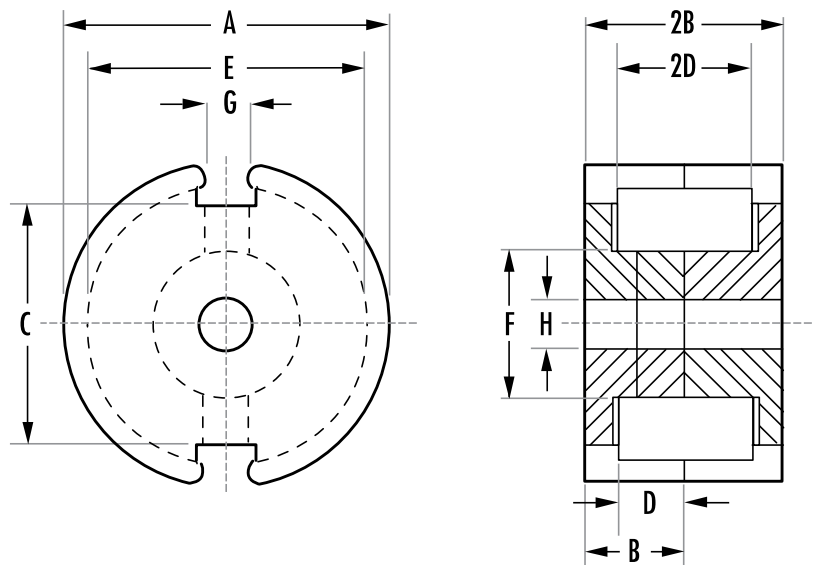
TYPE/SIZE	ORDERING CODE	NOMINAL A_L (MH/1000T)								
		R	P	F	T	J	W	C	E	V
PC 7/4	0_40704UG	886	964	1,200		2,257	4,286		900	950
PC 9/5	0_40905UG	1,013	1,100	1,365		2,727	6,029	640		
PC 11/7	0_41107UG	1,533	1,667	2,000		3,900	7,666	800	1,650	1,800
PC 11/9	0_41109UG	1,467	1,573	1,900						
PC 14/8	0_41408UG	2,053	2,240	2,800	2,800	5,073	8,400	1,100	2,100	2,240
PC 18/11	0_41811UG	3,067	3,333	4,000		7,500	12,000	1,400	3,000	3,650
PC 18/14	0_41814UG	3,076	3,268	3,350		5,088				
PC 22/13	0_42213UG	4,040	4,400	4,900	5,200	9,100	16,000	1,700	3,900	4,650
PC 26/16	0_42616UG	5,213	5,667	6,350		11,700	20,000			6,000
PC 28/23	0_42823UG			7,000						
PC 30/19	0_43019UG	6,680	7,267	8,100		15,100	25,000	2,800	8,000	7,000
PC 36/22	0_43622UG	8,700	9,467	10,200	10,800	17,500	32,667			9,000
PC 42/29	0_44229UG	9,200	10,000	12,000			40,000			9,000

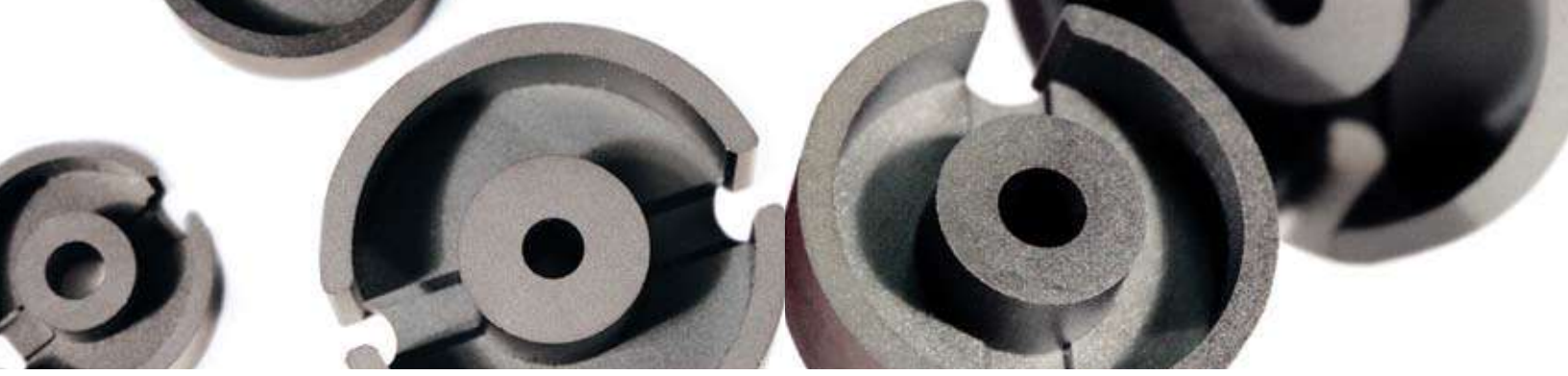
HOW TO ORDER

OP 4 14 08 UG

- Shape code ←
- Ferrite core material ←
- Used for all ferrite types ←
- Approximate diameter in mm ←
- Approximate height (per set) in mm ←
- Geometry code ←

Pot cores are sold in sets.
Any practical gap available. See page 15.





		MAGNETIC DATA						HARDWARE	
TYPE/SIZE	ORDERING CODE	I _e (mm)	A _e (mm ²)	A min (mm ²)	V _e (mm ³)	WaAc (cm ⁴)	Weight (grams per set)	Bobbins	Clips
PC 7/4	0_40704UG	9.9	7.0	5.9	69	0.002	0.5	✓	
PC 9/5	0_40905UG	12.5	10.1	8.0	126	0.003	0.8	✓	✓
PC 11/7	0_41107UG	15.5	16.2	13.2	251	0.006	1.8	✓	✓
PC 11/9	0_41109UG	16.2	16.3	13.2	264	0.01	1.9		
PC 14/8	0_41408UG	19.8	25.1	19.8	495	0.02	3.2	✓	✓
PC 18/11	0_41811UG	25.8	43.3	36.0	1,120	0.07	6.4	✓	✓
PC 18/14	0_41814UG	29.3	42.6	36.0	1,248	0.09	7.4		
PC 22/13	0_42213UG	31.5	63.4	50.9	2,000	0.18	13	✓	✓
PC 26/16	0_42616UG	37.6	93.9	77.4	3,530	0.39	20	✓	✓
PC 28/23	0_42823UG	48.1	128	101	6,160	0.58	32	✓	
PC 30/19	0_43019UG	45.2	137	116	6,190	0.74	34	✓	✓
PC 36/22	0_43622UG	53.2	202	172	10,700	1.53	57	✓	✓
PC 42/29	0_44229UG	68.6	265	214	18,200	3.68	104	✓	✓

Refer to page 58 for hardware information.

		DIMENSIONS (mm)									
TYPE/SIZE	ORDERING CODE	A	B	2B	C	D	2D	E	F	G	H
PC 7/4	0_40704UG	7.24 ± 0.15	2.08 ± 0.05	4.16 ± 0.1	4.72 nom	1.4 min	2.79 min	5.74 min	3.0 max	1.52 min	1.09 ± 0.05
PC 9/5	0_40905UG	9.3 + 0/-0.3	2.7 + 0/-0.15	5.4 + 0/-0.3	6.5 ± 0.25	1.8 + 0.15/-0	3.6 + 0.3/-0	7.5 + 0.25/-0	3.9 + 0/-0.2	2.0 ± 0.2	2.04 + 0.06/-0
PC 11/7	0_41107UG	11.1 ± 0.2	3.25 ± 0.05	6.5 ± 0.1	6.8 ± 0.25	2.2 + 0.15/-0	4.4 + 0.3/-0	9.0 + 0.4/-0	4.7 + 0/-0.2	2.2 ± 0.3	2.1 ± 0.1
PC 11/9	0_41109UG	11.28 + 0/-0.4	3.43 ± 0.08	6.86 ± 0.16	7.54 ± 0.2	2.48 ± 0.08	4.96 ± 0.16	9.0 + 0.4/-0	4.7 + 0/-0.2	1.8 + 0.3/-0	2.0 + 0.08/-0
PC 14/8	0_41408UG	14.3 + 0/-0.5	4.18 ± 0.06	8.35 ± 0.13	9.5 ± 0.3	2.8 + 0.2/-0	5.6 + 0.4/-0	11.6 + 0.4/-0	6.0 + 0/-0.2	2.7 + 1.2/-0	3.1 ± 0.1
PC 18/11	0_41811UG	18.0 ± 0.4	5.3 ± 0.05	10.6 ± 0.1	13.4 ± 0.3	3.7 ± 0.1	7.4 ± 0.2	15.15 ± 0.25	7.45 ± 0.15	3.8 ± 0.6	3.1 ± 0.1
PC 18/14	0_41814UG	18.0 ± 0.4	7.1 ± 0.2	14.2 ± 0.4	11.8 ± 0.25	5.05 + 0.2/-0	10.1 + 0.4/-0	14.0 + 0.4/-0	7.4 + 0/-0.3	3.6 + 0.3/-0	3.1 ± 0.08
PC 22/13	0_42213UG	22.0 + 0/-0.8	6.7 ± 0.1	13.4 ± 0.2	15.0 ± 0.4	4.6 + 0.2/-0	9.2 + 0.4/-0	17.9 + 0.6/-0	9.4 + 0/-0.3	3.8 ± 0.6	4.4 + 0.3/-0
PC 26/16	0_42616UG	25.5 ± 0.5	8.05 ± 0.1	16.1 ± 0.2	18.0 ± 0.4	5.5 min	11.0 min	21.6 ± 0.4	11.3 ± 0.2	3.8 ± 0.6	5.5 ± 0.1
PC 28/23	0_42823UG	27.7 ± 0.4	11.43 ± 0.15	22.86 ± 0.3	19.7 nom	8.15 min	16.3 min	22.0 min	12.88 max	3.81 min	5.56 ± 0.1
PC 30/19	0_43019UG	30.0 ± 0.5	9.45 ± 0.05	18.9 ± 0.1	20.5 ± 0.5	6.5 min	13.0 min	25.4 ± 0.4	13.3 ± 0.2	4.3 ± 0.6	5.5 ± 0.1
PC 36/22	0_43622UG	35.6 ± 0.6	10.95 ± 0.05	21.9 ± 0.1	26.2 ± 0.6	7.3 min	14.6 min	30.4 ± 0.5	15.9 ± 0.3	4.9 ± 0.6	5.55 ± 0.15
PC 42/29	0_44229UG	42.4 ± 0.7	14.7 ± 0.05	29.4 ± 0.1	32.0 ± 0.7	10.15 min	20.3 min	36.3 ± 0.7	17.4 ± 0.3	5.1 ± 0.6	5.55 ± 0.15